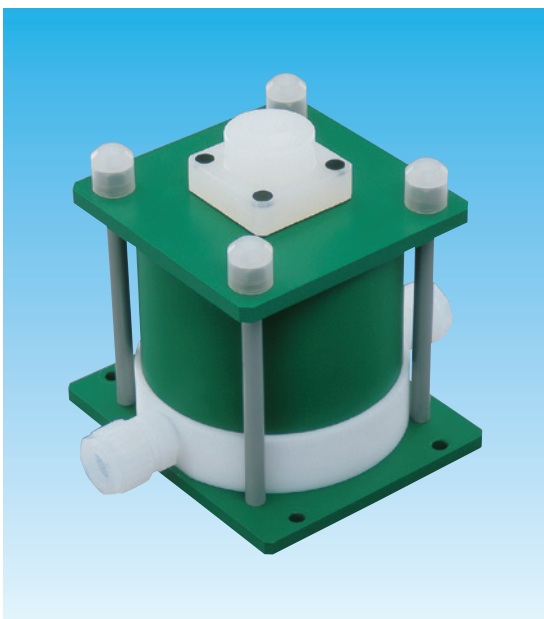


PA Series Auto Accumulator

The PA Series Auto Accumulator is designed for fully automatic operation. No on-site adjustment is required - the chamber pressure follows pump pressure fluctuations automatically.



Features

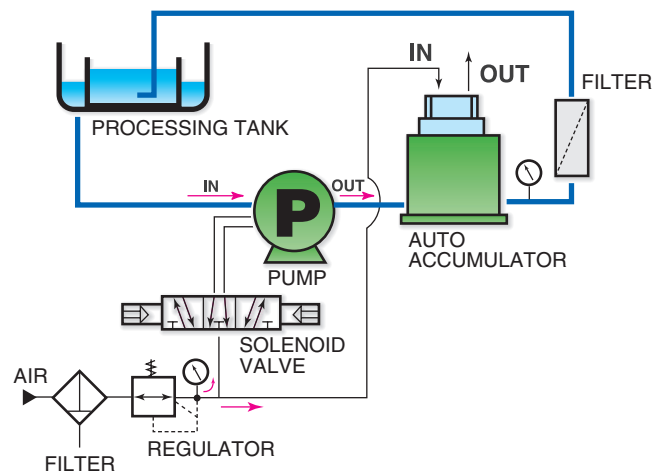
- Automatic pressure compensation for fluctuations due to filter clogging or valve actuation.
- Operates in temperatures from 10°C to 180°C , and line pressures from 0 to 0.45MPa (0 to 65psi).
* 0 to 0.65MPa (0 to 94psi) for PA-100H.
- Bellows faces downward to allow complete drainage of process fluid.
- Thicker "R shape" bellows, with large bore and short stroke length, means high reliability and longer maintenance intervals.
- All PTFE / PFA wetted parts.

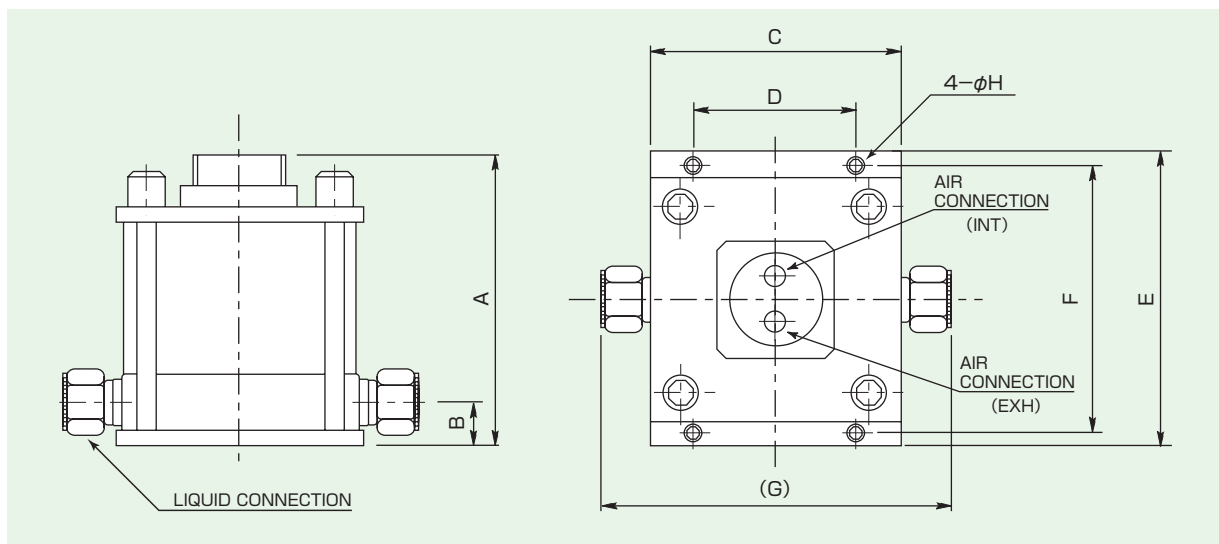
Specification

TYPE	PA-10HB	PA-20HB	PA-40HB	PA-80MB	PA-100H
Compatible pump	PE-10MA(N) PE-10HB(N)	PE-20MA(N) PE-20HB(N)	PE-40MA(N) PE-40HBH(N)	PE-80MA(N)	PK-100H
Operating temp °C (F°)	10~180 (50~356)	10~180 (50~356)	10~160 (50~320)	10~80 (50~176)	10~180 (50~356)
Operating pressure MPa (psi)	0~0.45 (0~65)			0~0.65 (0~94)	
Supply air pressure MPa (psi)	0.2~0.5 (2.9~7.2.5)			0.2~0.7 (2.9~10.2)	
Pulsation pressure range	When pump discharge pressure is greater than 0.16MPa(0.2MPa for PA-100H), it should be within 12.5% of pump discharge pressure. When pump discharge pressure is less than 0.16MPa(0.2MPa for PA-100H), it should be within 0.04MPa				
Liquid connection mm (inch)	φ12×φ10 (φ1/2×φ3/8)	φ19×φ15.8 (φ3/4×φ5/8)	φ25×φ22 (φ1×φ7/8)	φ31.8×φ28 (φ1 1/4×φ1 1/10)	
Liquid connector (※ 1)	Super type Super 300 type Pillar fitting ※Only super 300 type for PA-100H				
Air connection (N TYPE)	2-Rc 1/4" (2-NPT 1/4")				
Weight (kg)	3.5	8	9.5	13.5	22

※ 1: Pump type differ by liquid connector. Please inform us when ordering.
※ PA-100H is only available for S-300.

Layout Example



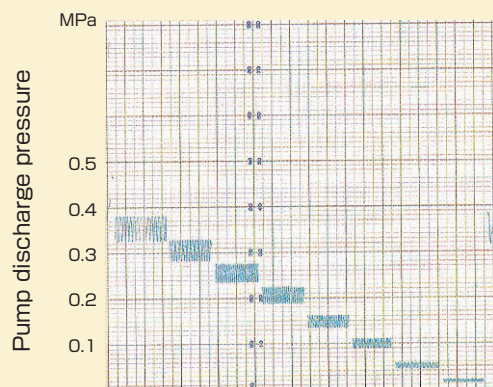


Dimension

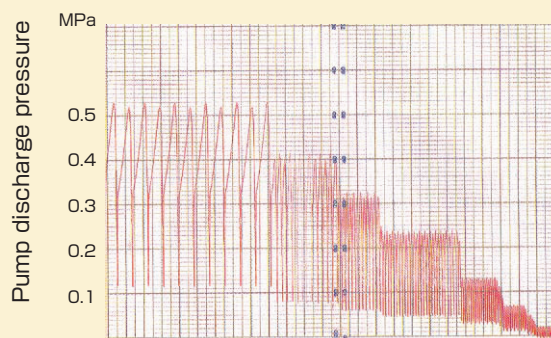
TYPE	A	B	C	D	E	F	(G)		φH
							Super type	Super 300 type P	
							PA-10HB(N)	176 (6.93')	
PA-20HB(N)	199 (7.83')	29 (1.14')	162 (6.38')	106 (4.17')	195 (7.68')	176 (6.93')	266	260	9 (0.35')
PA-40HB(N)	286 (11.26')	32.5 (1.28')	188 (7.40')	122 (4.80')	225 (8.86')	204 (8.03')	313	309	11 (0.43')
PA-80MB(N)	298 (11.73')	34.5 (1.36')	228 (8.98')	150 (5.91')	265 (10.43')	244 (9.61')	352	348	11 (0.43')
PA-100H	328 (12.91')	49.5 (1.95')	228 (8.98')	150 (5.91')	265 (10.43')	244 (9.61')		402	11 (0.43')

* The reference value of the pump size (cast metal size) is designed under the JIS standard tolerance.

Performance test results



Accumulator : PA-20HB
 Bellows pump : PE-20MA
 Fluid : Pure water
 Fluid temperature : 25°C
 Air pressure : 0.5MPa



Accumulator : Not Connected
 Bellows pump : PE-20MA
 Fluid : Pure water
 Fluid temperature : 25°C
 Air pressure : 0.5MPa

NIPPON PILLAR PACKING CO., LTD.

Head Office : 11-48, Nonakaminami 2 Chome, Yodogawa-ku, Osaka, 532-0022 Japan.
 Tel : 81-(0)6-6305-2821 Fax : 81-(0)6-6302-3300
 E-mail : info@pillar.co.jp

Nippon Pillar Corporation of America : 1562, Parkway Loop, Suite2C, Tustin, CA 92780, USA.
 Tel : 1-714-258-7741 Fax : 1-714-258-7760
 E-mail : sales@nipponpillar.com

Nippon Pillar Singapore Pte, Ltd. : No. 237 Pandan Loop, #03-01 Westech Building, Singapore 128424
 Tel : (65)6861-7138 Fax : (65)6862-9098
 E-mail : npillars@singnet.com.sg

Taiwan Pillar Industry Co.,Ltd. : 8F, No.45, SEC.1, MINQUAN E. RD., ZHONGSHAN DIST., TAIPEI CITY., 10452, TAIWAN.
 Tel : TAIPEI(886) 2-2587-1911 Fax : TAIPEI(886) 2-2585-3131
 URL:http://www.taiwanpillar.com.tw/ E-mail: sales@taiwanpillar.com.tw

Shanghai Pillar Trading Co.,Ltd. : Far East International Plaza A-1111, No.319, Xianxia Road, Changning District, Shanghai China. (200051)
 Tel : CHINA(86) 21-6208-7711 Fax : CHINA(86) 21-6235-0501
 URL:http://www.pillar-cn.com/ E-mail: sales@sh.pillar-cn.com
Nippon Pillar Packing Co.,Ltd. India Liaison Office : 111(old no.46),4th Main Road, Gandhi Nagar, Adayar, Chennai 600 020, India
 Tel : +91-44-3299-1422

<http://www.pillar.co.jp/> e-mail : info@pillar.co.jp

*Specifications and dimensions are subject to change without prior notice.

*The data on this catalogue are solely for your reference and are not to be construed as constituting a warranty.



• Follow the instructions, before installation and operation, for your safety.